

Specifications



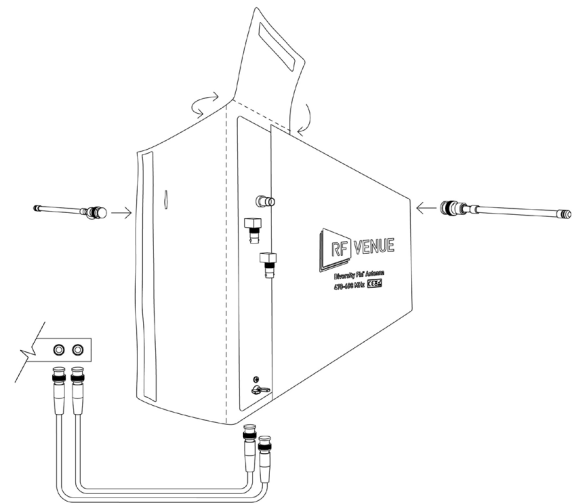
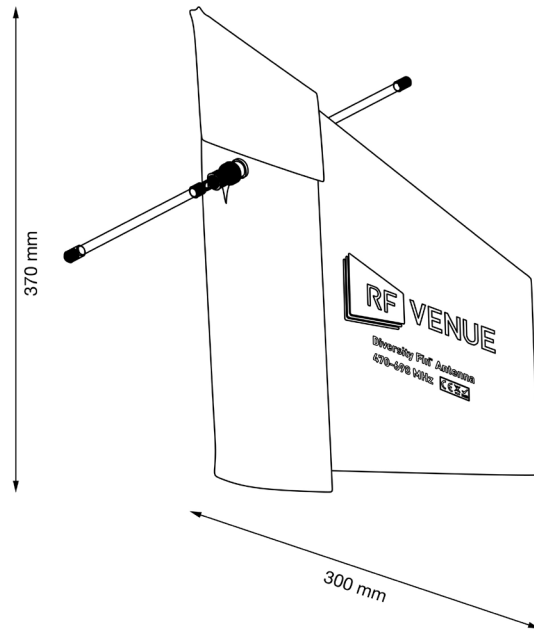
DIVERSITY FIN

Polarization Diversity Antenna

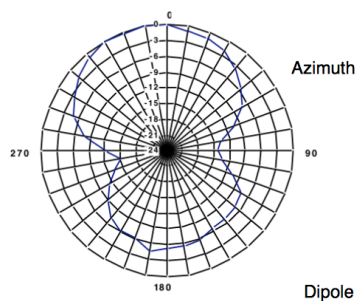
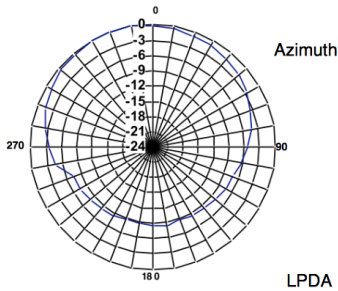
The Diversity Fin Antenna is a multi-purpose antenna designed to be used with wireless microphone systems and other UHF receivers incorporating dual branch diversity reception, and comprises orthogonal directional LPDA and bi-directional dipole elements. One element captures vertically polarized waves, and the other horizontally polarized waves—achieving optimal polarization diversity reception and improving signal constancy in indoor and reflective environments.

Connect two receiver (or antenna distributor) branches to the Diversity Fin via coaxial cables (not supplied).

The Diversity Fin has found widespread adoption across multiple pro audio segments for its performance, convenience, space, and cost benefits.



The Diversity Fin has two elements and two outputs. Connect one to each diversity branch of a receiver or antenna distributor via coaxial cable.



Electrical	Physical
Operating frequency470–698 MHz	Length.....300mm
Bandwidth.....228 MHz	Height370mm
Average return loss.....-9.4 dBm	Weight.....454g
Impedance50Ω	Mount threads.....1/4-20, 3/8-16, 5/8-27
LPDA	Operating temperature-23°C–54°C
Beam width140° azimuth	ColorBlack or white
F/B ratio-8 dBm	Connector(s).....(2) BNC female
F/S ratio-5 dBm	
Gain.....5 dBd	
Dipole	
Beam width100° azimuth	
F/B ratio-5 dBm	
F/S ratio-13 dBm	
Gain.....1.8 dBd	